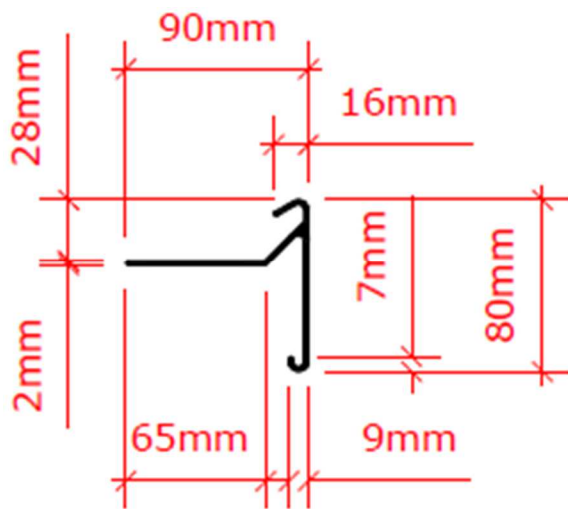


## PRODUCT DATA SHEET

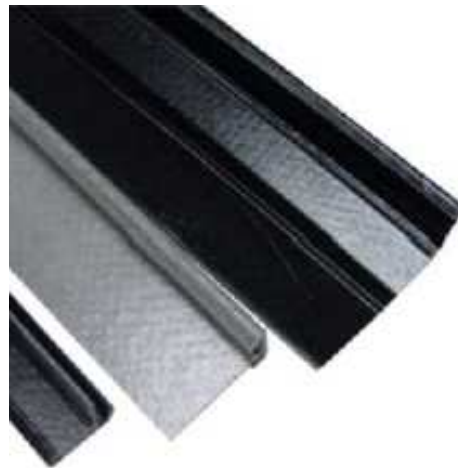
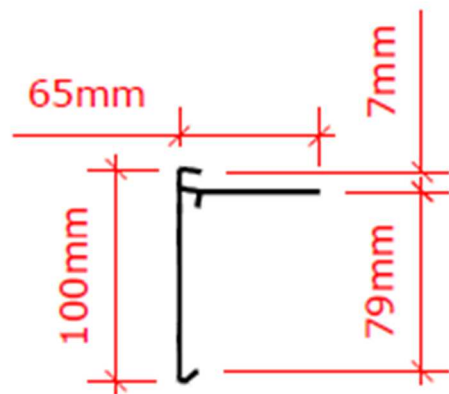
### Bauder GRP Trim & Bauder GRP Water Check Trim

A high quality, maintenance free, GRP Trim for use at the roof edge with Bauder Bituminous Roof Systems. It has a far lower coefficient of thermal expansion than aluminium or steel meaning less movement at the joints, along with a higher strength to weight ratio. Bauder GRP trim is available in a colour choice of black or grey and a range of profiles to suit the requirements of most projects.

#### GRP Water Check Trim Dimensions



#### GRP Trim Type 4 Dimensions



PRODUCT INFORMATION					
Product Range	Face Depth	Fixing Arm	Length	Thickness	Colour
Type 1	44mm	50mm	2.5m	2.5mm	Black
Type 2	44mm	90mm	2.5m	2.5mm	Black
Type 3	70mm	65mm	2.5m	2.5mm	Black
Type 4*	100mm	65mm	2.5m	2.5mm	Black or grey
Type 6**	150mm	75mm	2.5m	2.5mm	Black or grey
Water Check Trim***	80mm	65mm	3m	2.5mm	Black

#### UNITED KINGDOM

Bauder Ltd  
 70 Landseer Road, Ipswich, Suffolk IP3 0DH  
 T: +44 (0)1473 257671 E: [info@bauder.co.uk](mailto:info@bauder.co.uk)  
[bauder.co.uk](http://bauder.co.uk)

#### IRELAND

Bauder Ltd  
 O'Duffy Centre, Carrickmacross, Co. Monaghan  
 T: +353 (0)42 9692 333 E: [info@bauder.ie](mailto:info@bauder.ie)  
[bauder.ie](http://bauder.ie)

## PRODUCT DATA SHEET

**COLOURS**

Black or grey as per table above. Other colours available on application.

**ASSOCIATED PRODUCTS**

Internal jointing sleeves and 90° pre-formed angles also available.

**INSTALLATION GUIDANCE**

Refer to the Bauder Installation Manual and Specification for guidance.

\*For roofs higher than 10 metres in height, the Type 4 trim will require 3 additional fixings per length of trim. The fixings are to be face fixed with screws and positioned 50mm down from the top edge, one fixing 100mm in from each end and one in the centre and capped with coloured matched plastic weathering caps.  
*A fixed timber packer will be required behind the face of the trim to help facilitate ease of fixing.*

\*\*Type 6 trim will require 3 additional fixings per length of trim. The fixings are to be face fixed with screws and positioned 75mm down from the top edge, one fixing 100mm in from each end and one in the centre and capped with coloured matched plastic weathering caps.  
*A fixed timber packer will be required behind the face of the trim to help facilitate ease of fixing.*

\*\*\*Bauder GRP Water Check Trim to be used on parapets and perimeter kerbs wider than 200mm – **must** not be used on its own as a check kerb.

The Bauder GRP Water Check Trim can also be used for Bauder Cold Liquid Applied Roof Systems.

**UNITED KINGDOM**

Bauder Ltd

70 Landseer Road, Ipswich, Suffolk IP3 0DH

T: +44 (0)1473 257671 E: [info@bauder.co.uk](mailto:info@bauder.co.uk)

[bauder.co.uk](http://bauder.co.uk)

**IRELAND**

Bauder Ltd

O'Duffy Centre, Carrickmacross, Co. Monaghan

T: +353 (0)42 9692 333 E: [info@bauder.ie](mailto:info@bauder.ie)

[bauder.ie](http://bauder.ie)

## PRODUCT DATA SHEET

### Bauder Bituminous Roof System Detail Drawing

**Key**

- Bauder Capping Sheet (For all Green Roof details use Bauder Root Resistant Cap Sheet)
- - - Bauder Underlayer
- - - Bauder Air And Vapour Control Layer (Use Bauder Self Adhered Vapour Control Layer on Combustible Substrates)
- - - Bauder Random Nailed Layer used on TIMBER BOARDED DECKS ONLY
- Bauder Insulation
- Bauder Insulated Fillet
- Treated Timber Mechanically Fixed
- Insulation By Others
- Unknown Deck / Substrate

**IMPORTANT NOTE:**  
This Drawing Shows Alternative Details. For the Correct Solution to be Used, Refer to the Project Specific Specification.

**Alternative Details**

**Min 200mm**

Bauder GRP water check trim to be used on parapets and perimeter kerbs wider than 200mm - must not be used on its own as a check kerb as it only has an upstand of 28mm.

Fascia board

Treated timber kerb mechanically fixed

**GRP Trim**

#### Bauder GRP Water Check Trim

**IMPORTANT NOTES:**

1. This detail is suitable for the following Bauder Systems: **Bauder Total Roof System, Bauderflex, Airtech**
2. Do not scale to ascertain dimensions.
3. All dimensions are in Millimetres and are to be checked and verified on site prior to commencement of work.
4. This drawing is to be read in conjunction with the specification and associated drawings.
5. This detail is a guideline only, representing typical detailing conditions and illustrate the correct application of the above Bauder System. It may be necessary to modify this detail to suit specific project design constraints and conditions.
6. **Refer to the Bauder Specification for the deck type, product description and method of application. For clarity the method of attachment has not been shown.**
7. Provision should be made by the installer for mechanically fixing the top leading edge of all upstand details in excess of 250mm in height using appropriate fasteners.

**BITUMINOUS STANDARD DETAIL**

Scale:	Drawing Number	Rev:
1:5 @ A4	D0000-00W_203-001	-
Drawn By: CD	Checked By: PH	Approved By: RC
Date: 24.07.20		

**UK OFFICE**  
Bauder Limited  
70 Landseer Road,  
Ipswich,  
Suffolk, IP3 0DH,  
England.  
T: +44 (0)1473 257671  
F: +44 (0)1473 230761  
E: [Estechical@bauder.co.uk](mailto:Estechical@bauder.co.uk)  
[bauder.co.uk](http://bauder.co.uk)

**IRELAND OFFICE**  
Bauder Limited  
O'Duffy Centre, Cross  
Lane, Carrickmacross,  
Co. Monaghan,  
Ireland.  
T: +353 (0)42 9692 333  
F: +353 (0)42 9692 839  
E: [Estechical@bauder.ie](mailto:Estechical@bauder.ie)  
[bauder.ie](http://bauder.ie)

Copyright - This drawing is subject to copyright. No part of this document may be reproduced in any form, without the permission of BAUDER LTD.

Bauder reserves the right to amend information and product specifications without prior notice. All reasonable care has been taken to ensure that all data is current at the time of print, however because Bauder pursues a policy of constant development we recommend ensuring that your copy of this information is current by contacting our Technical Department at [technical@bauder.co.uk](mailto:technical@bauder.co.uk)

Recommendations for use should be verified as to the suitability and compliance with actual requirements, specifications, installation techniques and any applicable laws and regulations.

#### UNITED KINGDOM

Bauder Ltd  
70 Landseer Road, Ipswich, Suffolk IP3 0DH  
T: +44 (0)1473 257671 E: [info@bauder.co.uk](mailto:info@bauder.co.uk)  
[bauder.co.uk](http://bauder.co.uk)

#### IRELAND

Bauder Ltd  
O'Duffy Centre, Carrickmacross, Co. Monaghan  
T: +353 (0)42 9692 333 E: [info@bauder.ie](mailto:info@bauder.ie)  
[bauder.ie](http://bauder.ie)