

PRODUCT DATA SHEET

Bauder JFRI HP Plus 60mm Upright Insulation

An environmentally friendly, high performance, rigid expanded polystyrene (EPS) insulation, with a GRP facing laminated on one side.

This product is specifically for use at upstands where **Bauder JFRI Inverted Insulation** is used on the main flat area. **JFRI HP Plus 60mm Upright Insulation** is a laminated EPS insulation with a 1.15mm thick slate grey weather resistant GRP facing. The attractive insulation facing provides impact resistance as well as UV protection to the expanded polystyrene core.



Intended Use

Designed for low level vertical installation at wall junctions to reduce thermal bridging. Used in conjunction with **Bauder JFRI HP Upright Cover Strip**.

Each **JFRI HP Plus 60mm Upright Insulation Board** is supplied with a **1.2m length of Bauder JFRI HP Upright Cover Strip**.

For a comprehensive NBS J31 Specification contact Bauder Technical.

PRODUCT INFORMATION AND TECHNICAL PERFORMANCE

Characteristic	Unit	Value
Width	mm	1200
Length	mm	1200
Coverage	m ²	1.44
Impact strength of 1.15mm GRP Facing	Joules	530
Flexural strength	N/mm ²	180
Thermal Conductivity		
Declared thermal conductivity	W/mK	0.032
Design Thermal Conductivity	W/mK	Not Required

Thickness (mm)	Approx. weight per board (kg)	Thermal resistance (m ² K/W)
59 (+1.15mm facing)	4.3	1.85

SURFACE FINISH

Top:	1.15mm GRP – Slate grey
Bottom:	Un-faced - Grey

UNITED KINGDOM

Bauder Ltd
70 Landseer Road, Ipswich, Suffolk IP3 0DH
T: +44 (0)1473 257671 E: info@bauder.co.uk
bauder.co.uk

IRELAND

Bauder Ltd
O'Duffy Centre, Carrickmacross, Co. Monaghan
T: +353 (0)42 9692 333 E: info@bauder.ie
bauder.ie

PRODUCT DATA SHEET

CERTIFICATION AND ENVIRONMENTAL INFORMATION	
International Standards Organisation (ISO)	ISO 9001:2015 Quality Management Certificates EN1271 (UK) ISO 14001:2015 Environmental Management Certificates A10552 (UK)
BRE Green Guide generic product rating	A+ (www.bre.co.uk/greenguide element number 815320025)
Ozone depletion potential (ODP)	Zero
Global Warming Potential (GWP)	<5 kg CO ₂ Eq./kg
Recyclability	100% (excl GRP)

Bauder JFRI HP Plus Cover Strip

This product is specifically for use with **Bauder JFRI Plus 60mm Upstand Insulation**. It has been designed as a quick fit cover strip that requires no adhesives or special tooling. One **Bauder JFRI HP Cover Strip** is supplied with each **Bauder JFRI HP Plus 60mm Upstand Insulation Board**.



PRODUCT INFORMATION AND TECHNICAL PERFORMANCE		
Characteristic	Unit	Value
Length	mm	1200
Width (Front Face)	mm	30
Friction Fit Leg	mm	27
Colour		Slate Grey

UNITED KINGDOM

Bauder Ltd
70 Landseer Road, Ipswich, Suffolk IP3 0DH
T: +44 (0)1473 257671 E: info@bauder.co.uk
bauder.co.uk

IRELAND

Bauder Ltd
O'Duffy Centre, Carrickmacross, Co. Monaghan
T: +353 (0)42 9692 333 E: info@bauder.ie
bauder.ie

PRODUCT DATA SHEET

INSTALLATION GUIDANCE

The Bauder JFRI HP Plus 60mm Upstand Insulation Board is designed to be used with the Bauder JFRI HP Plus Cover Strip and Bauder JFRI Inverted Roof Insulation.

Bauder JFRI HP Plus 60mm Upstand Insulation Board should be used with a friction fit **Bauder JFRI HP Plus Cover Strip**. **Bauder JFRI HP Plus 60mm Upstand Insulation** is supplied pre-finished with a 1.15mm slate grey weather and impact resistant facing board. Boards and cover strips may be cut to suit on site prior to installation if required.

Bauder JFRI HP Plus 60mm Upstand Insulation Board is supplied with a rebated edge on two opposite sides of the board. These rebated edges must be positioned vertically.

During installation the expanded polystyrene (EPS) vertical board edges must be tightly butted together forming the correct gap width (2-4mm) for the friction fit joint cover strip.

Generally, the upstand insulation should be installed first, so it can be wedged in position at the base by the boards subsequently applied to the flat areas.

However, if there are two layers (multi layers) of insulation to the field areas, the bottom layer(s) of insulation can sit at deck level and the upstand board can be installed on top and then wedged into position using the uppermost layer of the insulation to the field area.

Low Level Installations**Adhesive Fixings – up to 150mm above the ballast**

Non-solvent PU based adhesives compatible with Expanded Polystyrene (EPS) may be used for attachment between the substrate and the **Bauder JFRI HP Plus 60mm Upstand Insulation** Board in low level applications. Board fixing with PU adhesive should follow the manufacturer's recommendations for PU bead width, bead spacing and perimeter application.

For installations where greater wind pressures are envisaged due to building height and perimeter areas; mechanically fixing may be required. Contact Bauder Technical or refer to Bauder J31 NBS project specific specification.

High Level Installations Mechanical Fixing – Installations exceeding 150mm above the ballast*

Mechanical fixings should be stainless steel or galvanised with pressure plate washers, (minimum 40mm diameter). Fixing type, material, grade, diameter, length, number and position etc. should be specified to suit substructure and site conditions. Alternatively, boards can be tightly clipped continuously on top edge with a minimum cover depth of 50mm.

Boards should be pre-drilled with over-sized holes, (at least 2mm oversize), to allow for expansion. Fixings should be positioned across the top edge of the board at maximum 300mm centres, minimum 40mm from the corners of the board and 40mm in from the top edge to avoid damage to the board finish.

Additionally, one horizontal strip of suitable solvent-free adhesive should be used in the centre of the exposed board area above the surfacing finish.

* Upstand Board heights to be discussed with Bauder Technical or refer to Bauder J31 NBS project specific specification.

UNITED KINGDOM

Bauder Ltd

70 Landseer Road, Ipswich, Suffolk IP3 0DH

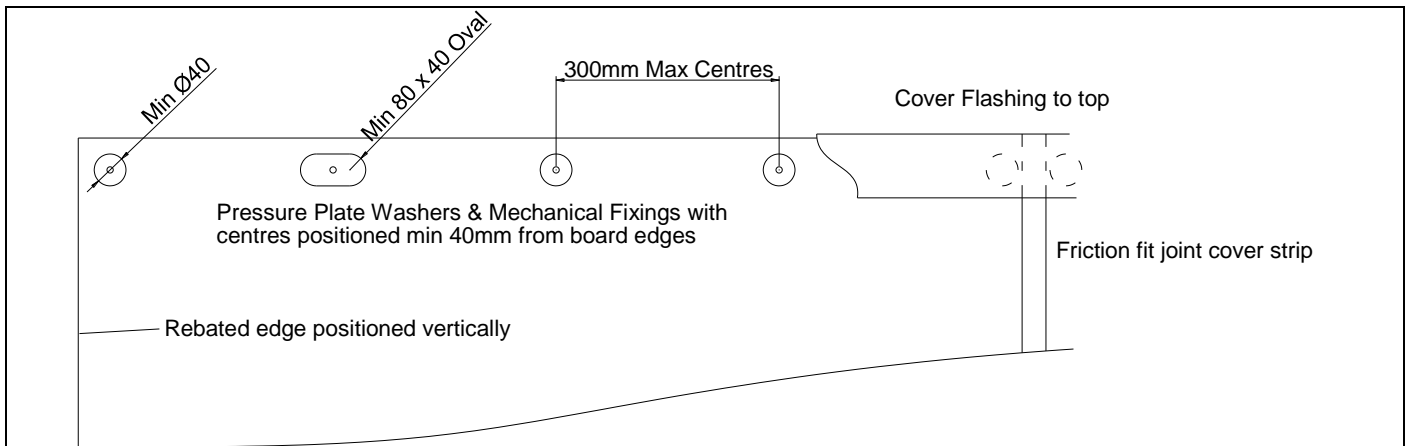
T: +44 (0)1473 257671 E: info@bauder.co.ukbauder.co.uk**IRELAND**

Bauder Ltd

O'Duffy Centre, Carrickmacross, Co. Monaghan

T: +353 (0)42 9692 333 E: info@bauder.iebauder.ie

PRODUCT DATA SHEET



Installation	Low level Installation	High Level Installation
Base of board pinned in place by the horizontal inverted roof insulation	✓	✓
Board edges must be tightly butted with the rebates positioned vertically	✓	✓
Board is adhered to the vertical detail with suitable adhesive	✓	✓
Top edge of board mechanically fixed		✓
Board centre is adhered to the vertical detail with solvent free suitable adhesive		✓
Joint cover strips are fitted	✓	✓
Top edge of board is fixed and protected by a cover flashing by others	✓	✓

Installation of Joint Cover Strips

Once the boards are securely fitted and adhesive (if used) has cured, the joint cover strips can be installed.

Strips should be inserted by pushing into position, starting from one end. A nylon hammer may be used to gently tap the strips into position if required. Ensure the joint cover strips are inserted so they fit tightly against the board face.

UNITED KINGDOM

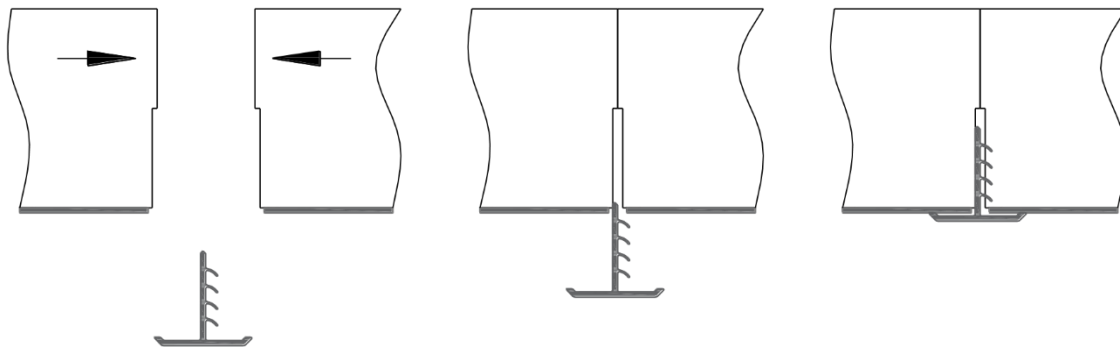
Bauder Ltd
 70 Landseer Road, Ipswich, Suffolk IP3 0DH
 T: +44 (0)1473 257671 E: info@bauder.co.uk
bauder.co.uk

IRELAND

Bauder Ltd
 O'Duffy Centre, Carrickmacross, Co. Monaghan
 T: +353 (0)42 9692 333 E: info@bauder.ie
bauder.ie

PRODUCT DATA SHEET

STEP 1	STEP 2	STEP 3
Position the rebated edges vertically	Important Tightly butt the board edges together throughout the full height. This will create the correct groove for the friction fit cover strip.	Once the boards are secure and any adhesive used has fully cured, insert the friction fit cover strip. Start at one end of the strip and simply push into position.



Cutting & Drilling Bauder JFRI HP Plus 60mm Upstand Insulation Board – 1.15mm Laminate

Bauder JFRI HP Plus 60mm Upstand Insulation Board may be cut by hand or with an appropriate power tool.

When cutting by hand, use a hacksaw with a tooth pitch of 1.2mm held at a shallow oblique angle to the sheet.

Recommended power tool – disc cutter with a 44 to 60 grit diamond blade, operating at approximately 280 surface m/min.

Holes should be drilled with standard metal bits.

The facing can be notched using standard metal snips.

Health and Safety Information

PPE should include safety goggles to protect against dust / projectile material, gloves to protect against possible sharp edges on the laminate board and a suitable dust mask to protect against dust inhalation.

In some cases, the laminate dust can cause slight transient irritation. Should effects be prolonged, or any signs of a rash occur, obtain medical advice. All exposed skin must be thoroughly washed with soap and water. Any eye contamination must be washed out with copious amounts of pure water.

Expanded Polystyrene, (EPS), is fully recyclable, however the laminate facing is not. Off-cuts need to be disposed via an authorised disposal contractor to an approved waste disposal site, observing all relevant regulations. The laminate is not classified as hazardous, (for approved landfill sites).

UNITED KINGDOM

Bauder Ltd
70 Landseer Road, Ipswich, Suffolk IP3 0DH
T: +44 (0)1473 257671 E: info@bauder.co.uk
bauder.co.uk

IRELAND

Bauder Ltd
O'Duffy Centre, Carrickmacross, Co. Monaghan
T: +353 (0)42 9692 333 E: info@bauder.ie
bauder.ie

PRODUCT DATA SHEET

Please ensure all installation specifications meet any associated Building and Fire Regulation requirements.

STORAGE & HANDLING

- Bauder JFRI Insulation boards are shrink wrapped in polythene and delivered to site on pallets. Each pack shows the manufacturer's name, grade, type marking, and the BBA logo incorporating the number of this Certificate.
- Bauder JFRI Upstand Insulation boards are shrink wrapped in polythene and delivered to site on pallets. Each pack shows the manufacturer's name, grade, type marking.
- Boards must be protected from prolonged exposure to sunlight and should be stored under cover or protected with light-coloured opaque polythene sheets.
- Care must be taken to avoid contact with solvents and materials containing organic components.
- Boards must be stored flat, off the ground, on a clean, level surface and under cover to protect them from high winds.
- Boards contain a flame-retardant additive to inhibit accidental ignition from small fire sources, it is combustible and should not be exposed to open flame or other ignition sources.
- Damaged boards must not be used.

Bauder reserves the right to amend information and product specifications without prior notice. All reasonable care has been taken to ensure that all data is current at the time of print, however because Bauder pursues a policy of constant development we recommend ensuring that your copy of this information is current by contacting our Technical Department at technical@bauder.co.uk.

Recommendations for use should be verified as to the suitability and compliance with actual requirements, specifications, installation techniques and any applicable laws and regulations.

UNITED KINGDOM

Bauder Ltd

70 Landseer Road, Ipswich, Suffolk IP3 0DH

T: +44 (0)1473 257671 E: info@bauder.co.ukbauder.co.uk**IRELAND**

Bauder Ltd

O'Duffy Centre, Carrickmacross, Co. Monaghan

T: +353 (0)42 9692 333 E: info@bauder.iebauder.ie