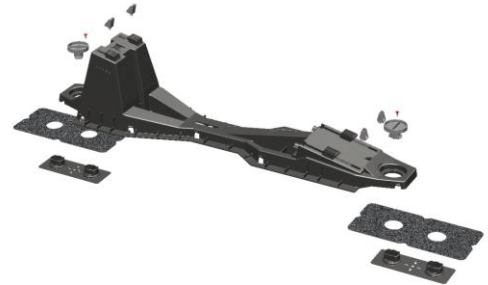


Technical data sheet

BauderSOLAR F XL flat roof photovoltaic mounting system for larger format modules

19/05/2026

| | |
|----------------------------|--|
| Product description | BauderSOLAR F XL is a flat roof PV mounting solution for framed solar modules. The mounting units are secured to the roof using a unique membrane-to-membrane welding technique. This installation method means that the roof is not compromised by penetrations for fixings, nor does it require additional ballast, which would add additional weight loading to the roof. |
| Intended Use | BauderSOLAR F XL is specifically designed to be installed on specific Bauder bituminous or single ply waterproofing systems and provide a lightweight, low risk and quick to install mounting solution for larger format framed solar modules manufactured by our module partners. |
| Article Number | GB63800012 |
| Website link | https://www.bauder.co.uk/products/baudersolar-f-xl |



| Characteristic | Test method | Unit | Value |
|----------------|-------------|-------------------|------------|
| Weight | EN 1848-1 | Kg/m ² | 9 to 12.5* |

* Includes weight of solar module, variable depending on module type and system layout.

| No. | Sketch | Name | Quantity | Description | Recycling |
|-----|--------|--|-------------------|--|-----------------------------|
| 1 | | BauderSOLAR F XL Main substructure | 1 Pcs | Substructure with integrated module clamps (Polypropylene PP) Weight = 4.8kg/unit 1550mm x 340mm x 310mm | |
| 2 | | BauderSOLAR MST-BIT welding sleeve | Subject to design | Welding sleeve for welding to Bauder bitumen roof membranes 440mm x 360mm x 5.2mm | EWC number 170302 (bitumen) |
| 2 | | BauderSOLAR MST-PVC welding sleeve | Subject to design | Welding sleeve for welding to Bauder Thermofol PVC roof membranes 440mm x 360mm x 1.8mm | EWC number 170203 (PVC) |
| 2 | | BauderSOLAR MST-FPO welding sleeve | Subject to design | Welding sleeve for welding to Bauder Thermoplan FPO roof membranes 440mm x 360mm x 1.8mm | EWC number 170203 (FPO) |
| 3 | | BauderSOLAR GF baseplate | Subject to design | Receivers for the bayonet twist lock fitting (Polyamide PA6-GF30) 280mm x 100mm x 35mm | |
| 4 | | BauderSOLAR BJT bayonet Cap | 2 Pcs | Twist lock for locking to the base plate (Polyamide PA6-GF30) 80mm x 35mm | |

Safety Data Sheets are designed to provide the necessary information to recipients of substances and mixtures in the EU & UK. This product is classed as an article, therefore this product does not have a requirement for a Safety Data Sheet.



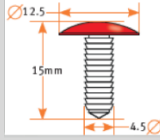



Notified body: FIW Munchen, 0751
EN 13165

UNITED KINGDOM Bauder Ltd, 70 Landseer Road, Ipswich, Suffolk IP3 0DH
T: +44 (0)1473 257671 – E: technical@bauder.co.uk
www.bauder.co.uk

Bauder reserves the right to amend information and product specifications without prior notice. All reasonable care has been taken to ensure that all data is current at the time of print, however because Bauder pursues a policy of constant development we recommend ensuring that your copy of this information is current by contacting our Technical Department at technical@bauder.co.uk. Recommendations for use should be verified as to the suitability and compliance with actual requirements, specifications, installation techniques and any applicable laws and regulations.

Technical data sheet

| | | | | | |
|---|---|--|-------|---|---|
| 5 |  | BauderSOLAR MDS locking pin | 4 Pcs | Module securing device with two snap-in hooks below (Polypropylene PP) |  |
| 6 |  | BauderSOLAR BSP Bayonet Safety Pin | 2 Pcs | Push fit pin to lock Bayonet Cap in place (Nylon) |  |

Normative references

For undated references, the latest edition of the referenced document (including any amendments) applies.

Storage/ Transport

The product should be stored dry, protected against weathering, and must not be exposed to temperatures exceeding 35°C. The products must not be exposed to a direct naked flame or other ignition sources, or to solvents or other chemicals.

Ensure the product(s) are clear of buildings and any other storage areas. Where there are storage containers on site, these may be suitable for storing products

Certification and environmental information

ISO 9001:2015 Quality Management
Certificates EN1271 (UK) and 70499/03-15_e (Germany).

ISO 14001:2015 Environmental Management
Certificates A10552 (UK) and 70499/03-15_d (Germany).

ISO 50001: 2011 Energy Management
Certificate 70499/03-15_c (Germany)

Installation guidance

BauderSOLAR F XL is designed to be installed by a Bauder approved and trained contractor only. Please see BauderSOLAR installation guidelines for a full breakdown of the system installation methodology.

The number of mounts and fixings required will vary from project to project. System weight can also vary depending on module choice and system design. Please contact Bauder for a project specific technical report for further information. System weight, windload calculations will also be provided on a project specific basis.

BauderSOLAR F XL can be installed on slopes of up to 5° for bituminous membranes and 10° for single-ply membranes.

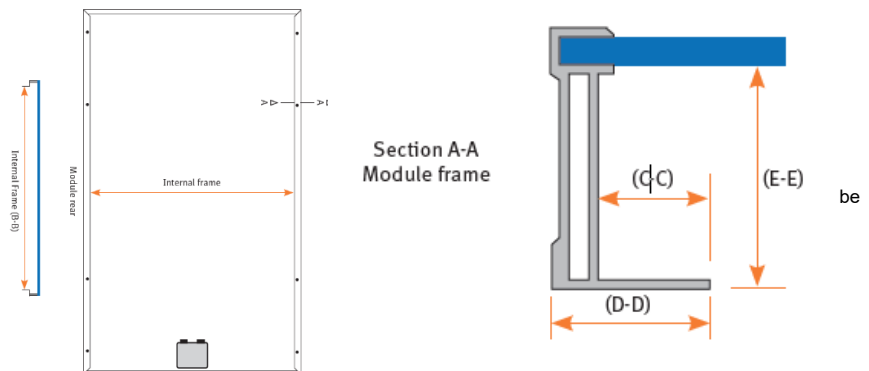
BauderSOLAR F XL is intended to be used in combination with the following membranes:

- Bauder Total Roof System
- Bauderflex
- Bauder Thermofol – minimum 1.8mm mechanically fixed or adhered, all colours
- Bauder Thermofol Fleece Back – adhered, all colours
- Bauder Thermoplan – minimum 1.5mm mechanically fixed or adhered, all colours
- Bauder Thermoplan Fleece Back – adhered, all colours

BauderSOLAR F XL is compatible with modules that meet the following criteria:

Module Length = ca. 2000mm maximum
Internal frame (B-B) = 979mm-1080mm
Module depth (E-E) = minimum 25mm
Module flange width (C-C) = Minimum 10mm

Specific test standards and results are stated in Bauder product datasheets and our specification service should be used to confirm suitability to each individual project.



Safety Data Sheets are designed to provide the necessary information to recipients of substances and mixtures in the EU & UK. This product is classed as an article, therefore this product does not have a requirement for a Safety Data Sheet.



Notified body: FIW Munchen, 0751
EN 13165

UNITED KINGDOM Bauder Ltd, 70 Landseer Road, Ipswich, Suffolk IP3 0DH
T: +44 (0)1473 257671 – E: technical@bauder.co.uk
www.bauder.co.uk

Bauder reserves the right to amend information and product specifications without prior notice. All reasonable care has been taken to ensure that all data is current at the time of print, however because Bauder pursues a policy of constant development we recommend ensuring that your copy of this information is current by contacting our Technical Department at technical@bauder.co.uk. Recommendations for use should be verified as to the suitability and compliance with actual requirements, specifications, installation techniques and any applicable laws and regulations.