

Bauder Parapet Emergency Overflow Stainless Steel DN 70

19.05.2026

Product description

A stainless-steel Parapet Emergency Overflow with an 800mm long spigot. Comes with a fixing plate and fixing plate flange.

Application fields

For use with Bauder bituminous waterproofing membranes and Liquid applied membranes. It is used in conjunction with other roof drainage outlets to ensure that there is no water ingress into the building and that the structural load of the roof is not exceeded and provides a visible warning that the roof is holding excessive water.

The fixing plate and fixing plate flange are used when the parapet is insulated (warm roof upstand). The insulation can be clamped between the plate and the overflow outlet.

They are not suitable or intended for connection to internal pipework that is within a wall construction or boxed in and is inaccessible after construction.

It is often part of a Blue Roof specification and can be used with Bauder membranes. Visible emergency overflows are recommended as part of NFRC Blue Roof guidelines.



Article Number

Bitumen Parapet Emergency Overflow Stainless Steel DN 70

GB60265200

Website Link

<https://www.bauder.co.uk/products/parapet-emergency-overflow-stainless-steel-dn70>

Characteristic	Unit	Value
Material	-	stainless steel
Colour	-	silver
Spigot length	mm	800
Angle of spigot	°	3
Overflow opening width	mm	70
Spigot width	mm	75
Fixing plate width	mm	250
Fixing plate height	mm	220
Fixing plate flange width	mm	196
Fixing plate flange height	mm	196
Weight	kg	4.2

Normative references

For updated references, the latest edition of the referenced document (including any amendments) applies.

Storage guidance

Store under cover.

Packaging material

The overflow outlet, flange, and wall plate will be delivered in a cardboard box (readily recyclable). The flange for the wall plate will be delivered within a low-density polyethylene bag (readily recyclable), which weighs 29 grams.

Handling/PPE

All persons using the product should be fully aware of the manual handling methods as roofing materials are heavy and can cause serious injury. When using the product, installers should be provided with, and wear, suitable personal protective equipment.

Disposal guidance

Disposing of any waste material must be carried out in accordance with national regulations.

Further information/ documents

Current documents such as brochures, installation guides, etc. can be found by visiting www.bauder.co.uk

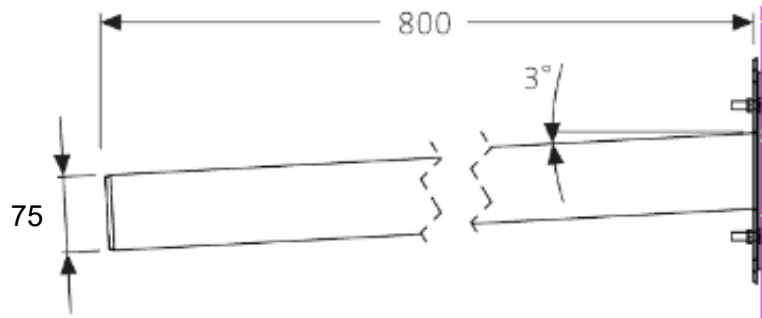
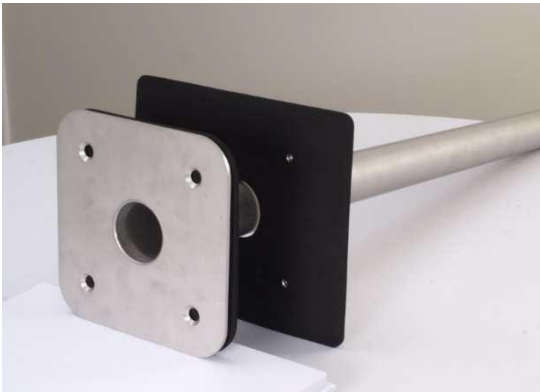
International Standards Organisation (ISO)

ISO 9001:2015 Quality Management
Certificates EN1271 (UK)

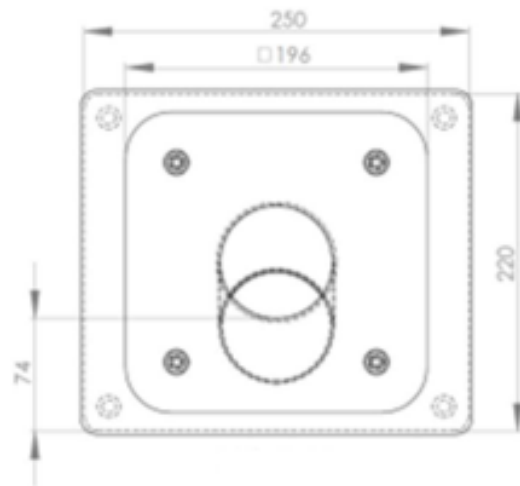
ISO 14001:2015 Environmental Management Certificates
A10552 (UK)

Technical data sheet

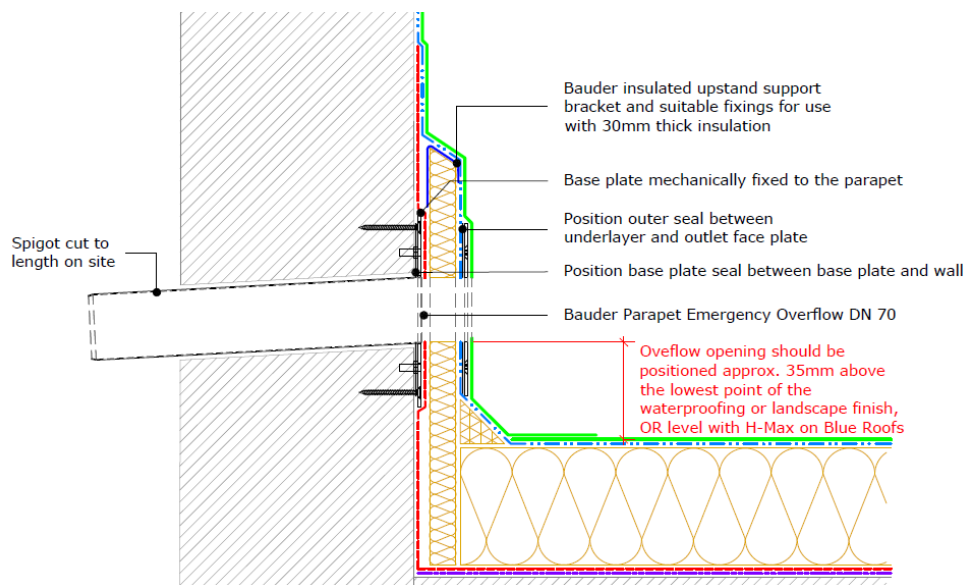
Dimensions of the emergency overflow outlet:



Dimensions of the fixing plate and fixing plate flange:



Detail drawing:



Installation Guidance and data: Please refer to the Bauder Installation Guide and project specification for guidance.

In accordance with BS EN 12056-3:2000, Overflows or emergency outlets
 UNITED KINGDOM Bauder Ltd 70 Landseer Road, Ipswich, Suffolk IP3 0DH
 T: +44 (0)1473 257671 - E: technical@bauder.co.uk
www.bauder.co.uk

Bauder reserves the right to update this data set without prior notice and this document is uncontrolled if printed or stored. Always confirm the latest version is used for the adoption of this product, available from our website: bauder.co.uk/technical-centre. Intended use of this product should be verified with Bauder to ensure suitability and compliance with applicable guidance, regulations, legislations, project requirements, specifications, and installation techniques.

Technical data sheet

should be provided on flat roofs with parapets and in non-eaves gutters in order to reduce the risk of over spilling of rainwater into a building or structural overloading. The flow rate of the Emergency Parapet Outlet is much lower than vertically draining outlets, therefore, the outlet is normally used as an additional warning overflow to highlight water build-up on the roof.

It is often part of a Blue Roof specification and can be used with Bauder membranes. Visible emergency overflows are recommended as part of NFRC Blue Roof guidelines.

The overflow opening should be positioned approx. 35mm above the lowest point of the waterproofing or impermeable landscape finish. For Blue Roofs, the bottom of the overflow opening should be positioned level with the top of the H-Max. It is used in conjunction with other roof drainage outlets to ensure that there is no water ingress into the building and that the structural load of the roof is not exceeded and provides a visible warning that the roof is holding excessive water.

Fixing:

Emergency overflow to be installed through the system and kerb after creation of a suitable size diameter opening. The Bauder Emergency Parapet Outlet Kit is supplied with a clamping plate which can be fixed to the parapet wall. The parapet insulation can then be clamped between the plate and the outlet. For cold or inverted roofs, the clamping plate is not required.

The overflow should be secured using suitable fixings. The fixing plates supplied will form part of the Bauder waterproofing system and for guarantee reasons, should only be installed by Bauder Approved installers.

When designing a rainwater scheme, the following considerations should apply:

Always make provision for an additional back-up outlet to ensure that the roof will continue to drain in the event of a blockage, even if a single outlet is deemed to have sufficient flow to drain the area concerned.

Allow a safety factor of 10% above the published maximum outlet capacity to take account of greater than designed storm intensities.

Check that all outlets are correctly installed before completion or handover.

Check that all pipe connections are secure and that the leaf grilles are fitted.

All rainwater outlets should be inspected twice yearly for blockages and to clean out the outlets and remove any debris or leaf litter as part of the routine maintenance schedule.

Safety Data Sheets are designed to provide the necessary information to recipients of substances and mixtures in the EU & UK. This product is classed as an article; therefore, this product does not have a requirement for a Safety Data Sheet.