

PRODUCT DATA SHEET

Bauder Non-Combustible (NC) Pedestal

An all metal, non-combustible pedestal designed for use on flat and tapered roofs. Used to support paving, decking and grating solutions. It features a 170mm diameter base plate to spread load across the roof surface and comes with integrated slope corrector.



Intended Use

Typically used on “specified attachments” where non-combustible products are required such as high-level balconies. The pedestal system will enable paving and decking to be laid at a variety of heights from 42mm to 282mm on a slope of up to 5 degrees. The various pedestals are capable of absorbing over 3 tonnes of load.

Designed to be used where Non-combustible roofing system is required. The Pedestals can be adjusted to provide a level walking surface on a tapered roof deck or uneven roof decks. The pedestals wide base negates the need for additional load spreader.

NC PEDESTAL - PRODUCT INFORMATION AND TECHNICAL PERFORMANCE			
Detail	Test method	Unit	Value
Head Diameter		mm	90
Base Diameter		mm	170
Depth (8 different pedestal heights available)			
42-57mm pedestal		mm	42-57
57-72mm pedestal		mm	57-72
72-87mm pedestal		mm	72-87
72-107mm pedestal		mm	72-107
107-142mm pedestal		mm	107-142
142-177mm pedestal		mm	142-177
177-212mm pedestal		mm	177-212
212-247mm pedestal		mm	212-247
247-282mm pedestal		mm	247-282
Base and Head			Recycled Aluminium
Stem			M16 – Zinc plated steel
Weight	BS EN 1110	Kg	All pedestals ≤ 0.4
Spacers		mm	3 (12mm High)
Optional Removable Spacers		mm	5 (13mm High)
Compressive Strength	SIRRIS test house	KN	>30
Slope Corrector		%	0 – 5% (in half percent increment)
Reaction to fire	BS EN ISO11925-2	-	class A1 according to BS EN 13501-1

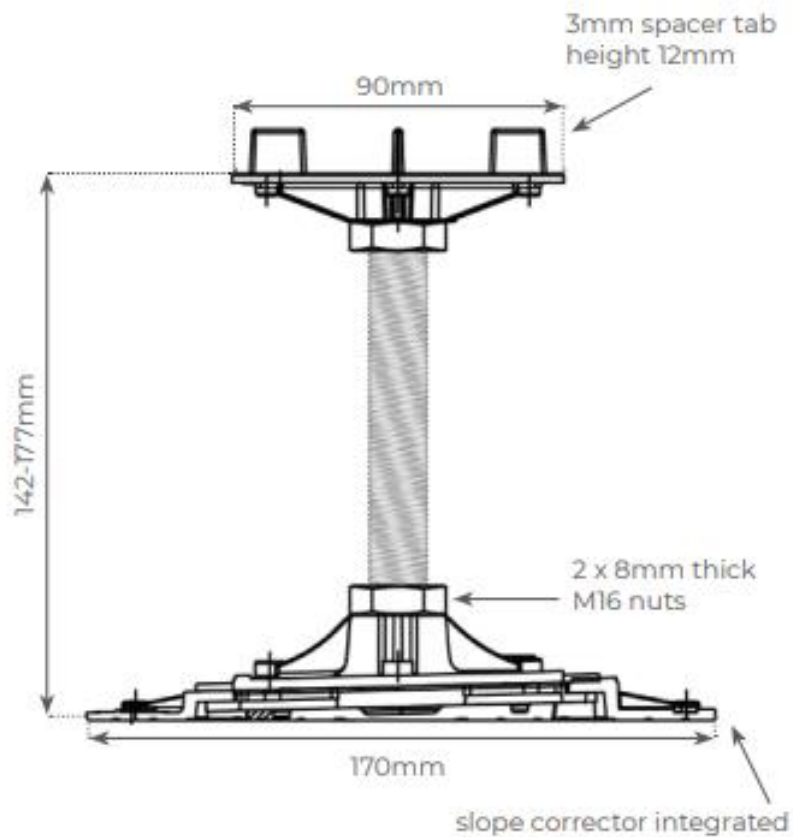
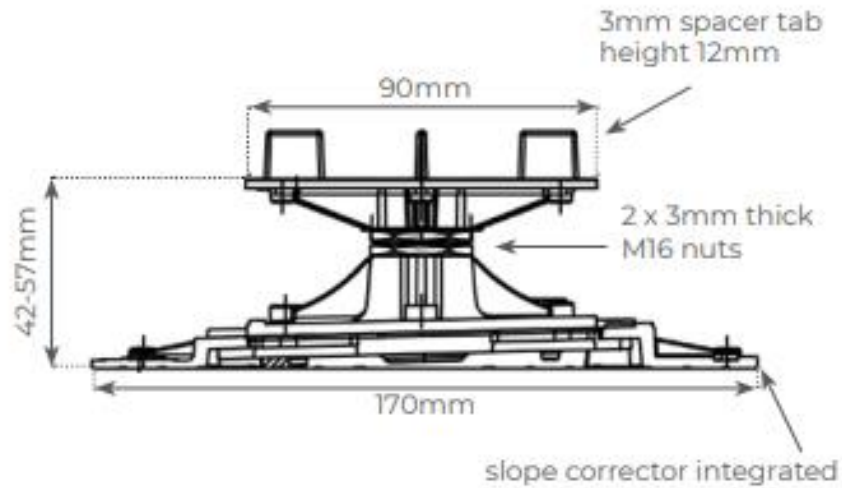
UNITED KINGDOM

Bauder Ltd
70 Landseer Road, Ipswich, Suffolk IP3 0DH
T: +44 (0)1473 257671 E: info@bauder.co.uk
bauder.co.uk

IRELAND

Bauder Ltd
O’Duffy Centre, Carrickmacross, Co. Monaghan
T: +353 (0)42 9692 333 E: info@bauder.ie
bauder.ie

PRODUCT DATA SHEET



Integrated spacer tabs are perforated for easy removal. The NC range has a suite of Class A1 fire-rated accessories; - Spacer Tabs - Edge Restraint – Joists, etc.

UNITED KINGDOM

Bauder Ltd
70 Landseer Road, Ipswich, Suffolk IP3 0DH
T: +44 (0)1473 257671 E: info@bauder.co.uk
bauder.co.uk

IRELAND

Bauder Ltd
O'Duffy Centre, Carrickmacross, Co. Monaghan
T: +353 (0)42 9692 333 E: info@bauder.ie
bauder.ie

PRODUCT DATA SHEET



Pedestal units comes with standard 3mm spacers (12 mm high). Optional additional spacers will increase spacer to 5mm and sit 13mm high.

Perimeter Spacer Unit: Retains drainage gaps against upstands and secures paving. 170mm long, 40mm wide with a 5mm slot to locate over spacer tabs. Once fitted the Stainless-steel Edge Restraint increases the paving height by 1mm.

CERTIFICATION AND ENVIRONMENTAL INFORMATION

BBA Certificate	N/A
Environmental Product Declaration (EPD)	N/A
International Standards Organisation (ISO)	ISO 9001:2015 Quality Management Certificates EN1271 (UK) and 70499/03-15_e (Belgium). ISO 14001:2015 Environmental Management Certificates A10552 (UK) and 70499/03-15_d (Belgium). ISO 50001: 2011 Energy Management Certificate 70499/03-15_c (Belgium)
Recycled content	97.8%
Visible Defects	BS EN1850-1 No Visible Defects

INSTALLATION GUIDANCE

The Bauder Pedestal Systems should be installed in line with the Bauder guidance, in particular aligning slope correctors to keep the paving or decking surfaces level. Spacers must always be fitted to keep gaps consistent and insure adequate drainage.

Bauder pedestals are designed to support external raised floors for pedestrian traffic only and are not designed to support or be subjected to moving and/or vibrating machinery & equipment, including maintenance, cleaning equipment, vehicles and other similar equipment.

Bauder reserves the right to amend information and product specifications without prior notice. All reasonable care has been taken to ensure that all data is current at the time of print, however because Bauder pursues a policy of constant development we recommend ensuring that your copy of this information is current by contacting our Technical Department at technical@bauder.co.uk

Recommendations for use should be verified as to the suitability and compliance with actual requirements, specifications, installation techniques and any applicable laws and regulations.

UNITED KINGDOM

Bauder Ltd
70 Landseer Road, Ipswich, Suffolk IP3 0DH
T: +44 (0)1473 257671 E: info@bauder.co.uk
bauder.co.uk

IRELAND

Bauder Ltd
O'Duffy Centre, Carrickmacross, Co. Monaghan
T: +353 (0)42 9692 333 E: info@bauder.ie
bauder.ie